



## KD600M

### Universal Vector AC Drives

KD600M is our new design with the most compact size but good vector Control Mode, Can be easily tuned to simple speed control for 80% Motors, really cheapest price, and good function.. with 24 months warranty offered, it can almost match all customers' requests.



#### POWER RATINGS

1×220 - 240V	0.4 - 7.5kW
3×220 - 240V	0.4 - 7.5kW
3×380 - 480V	0.75 - 15kW

#### COMPATIBILITY

Asynch motor control applicable

#### CONTROL TECHNOLOGY

V/Hz control  
SVC1

#### FEATURES

##### Reliable

- Ambient temperature 45° C without derating
- Thickened conformal coating
- Optimized cooling system

- Less need for cooling or oversizing
- Resistant to harsh surroundings
- Lower temperature rise

##### User-friendly

- Parameter copy
- Detachable control panel
- One platform numerous versions

- Save time for Commissioning
- Easy for remote control
- Save stocks

##### Intelligent

- Warning systems
- Multiple frequency references
- All-sided protection
- Online autotuning
- PC-based monitoring software
- Extensible features/parameter blocks

- Warning before stop
- Powerful in intelligent applications
- Long lifetime & less maintainance cost
- Intelligent response to delicate variation
- Easy to operate
- Make the drives "just for you"

# Small in Size, Powerful in Performance

01

Mounting space saving

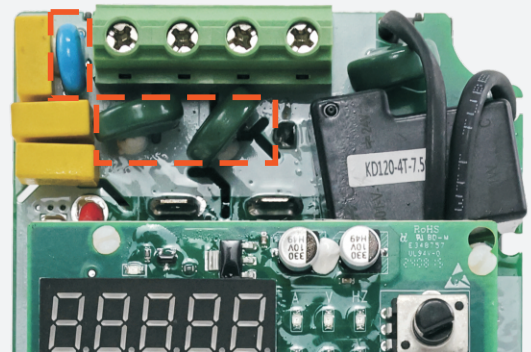
KD600M adopt book-type frames to save mounting space. Close parallel mounting is permitted without requirement of derating.



02

EMC grounding design

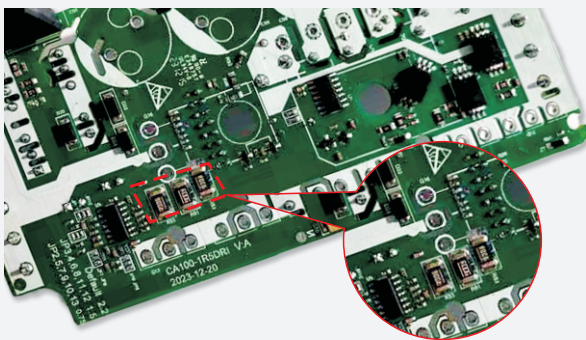
Independent grounding system selection switch (through the screw access or not to choose), easy to solve the problem of EMC interference and leakage current.



03

Three resistance current sampling and reconstruction technology

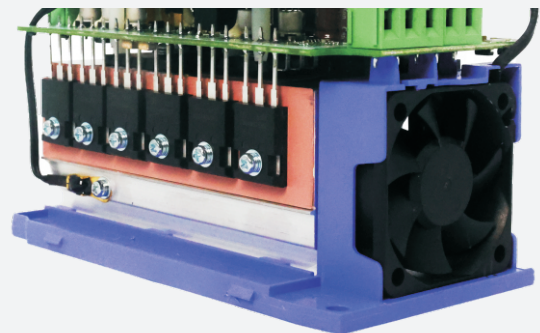
Whole back facet covered, and fin-corrugated heat sink has the optimized contribution to heat dissipation. Minimized temperature rise brings about reliable operation and pledges the lifespan of drive components.



04

Minimum penetration of dust

KD600M drives are designed to keep the forced ventilation away from the electronics. Printed circuit boards are well protected inside the drives.



05

Promoted V/Hz

KD600M adopting promoted V/Hz control technique make the start torque reach 180% of the rated at 0.5Hz.

180%

06

### Strong adaptability to temperature

Derating is not required for KD600M at ambient temperature up to 50°C.

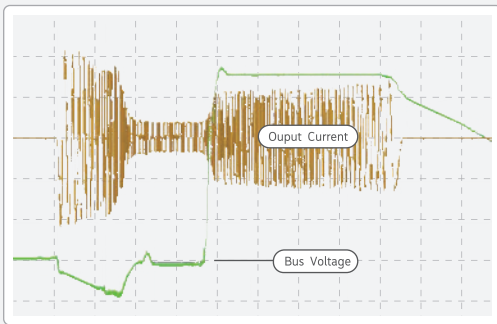
50°C

07

### Multi-step speed

16-step speed is supported, two of which accept various frequency references.

16



08

### Stall protections

Overvoltage and undervoltage stall protections are both procurable at KD600M, which pledges the operation continuous without trip at ramp down of the large-inertia load, or sudden power loss.



### For more information

To know more functionalities and capabilities, please refer to KD60M user manual or contact K-DRIVE.



## SPECIFICATIONS

### Input & Output

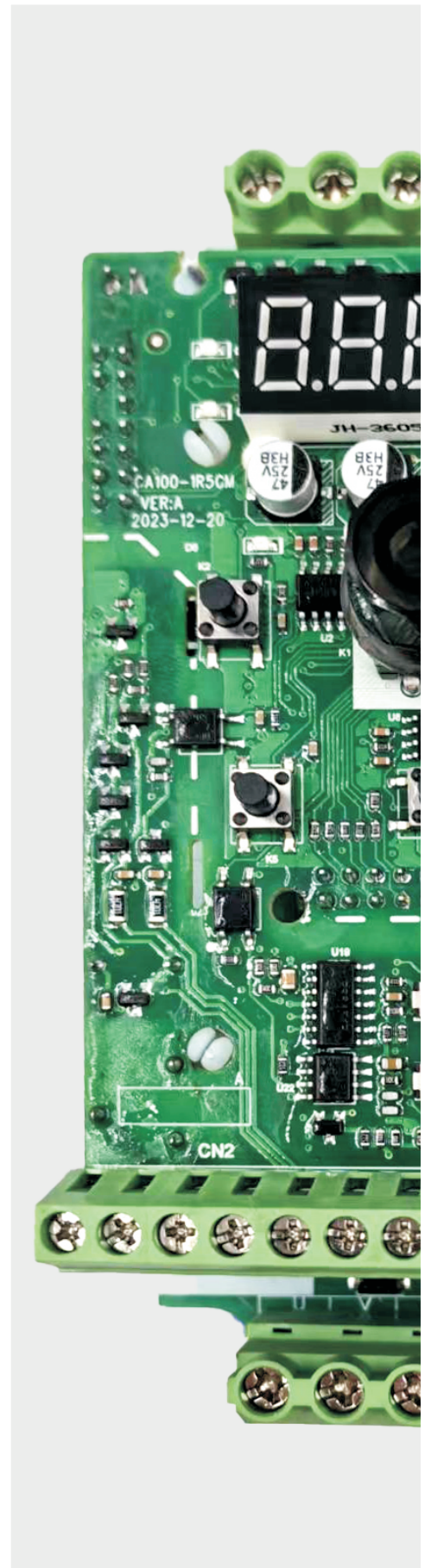
Input voltage	1AC 220~240V(± 15%)
	3AC 220~240V(± 15%)
	3AC 380~460V(± 15%)
Input frequency	50Hz/60Hz ±5%
Output voltage	0~input voltage, deviation <±3%
Output frequency	0~600Hz

### Control Characteristics

Control mode	V/F control
	Vector control
Speed accuracy	±0,5% (V/F)
	±0,2% (SVC)
Speed fluctuation	±0,3% (SVC)
torque response	< 10ms (SVC)
Starting torque	0,5Hz: 150% (V/F)
	0,25Hz: 180% (SVC)
Overload capability	150% Rated current -60s
	180% Rated current -10s
	200% Rated current -1s
Simple PLC Multi-step speed	16 speed
	External digital signal control Internal clock
PID function	Standard build-in
Communication	Modbus

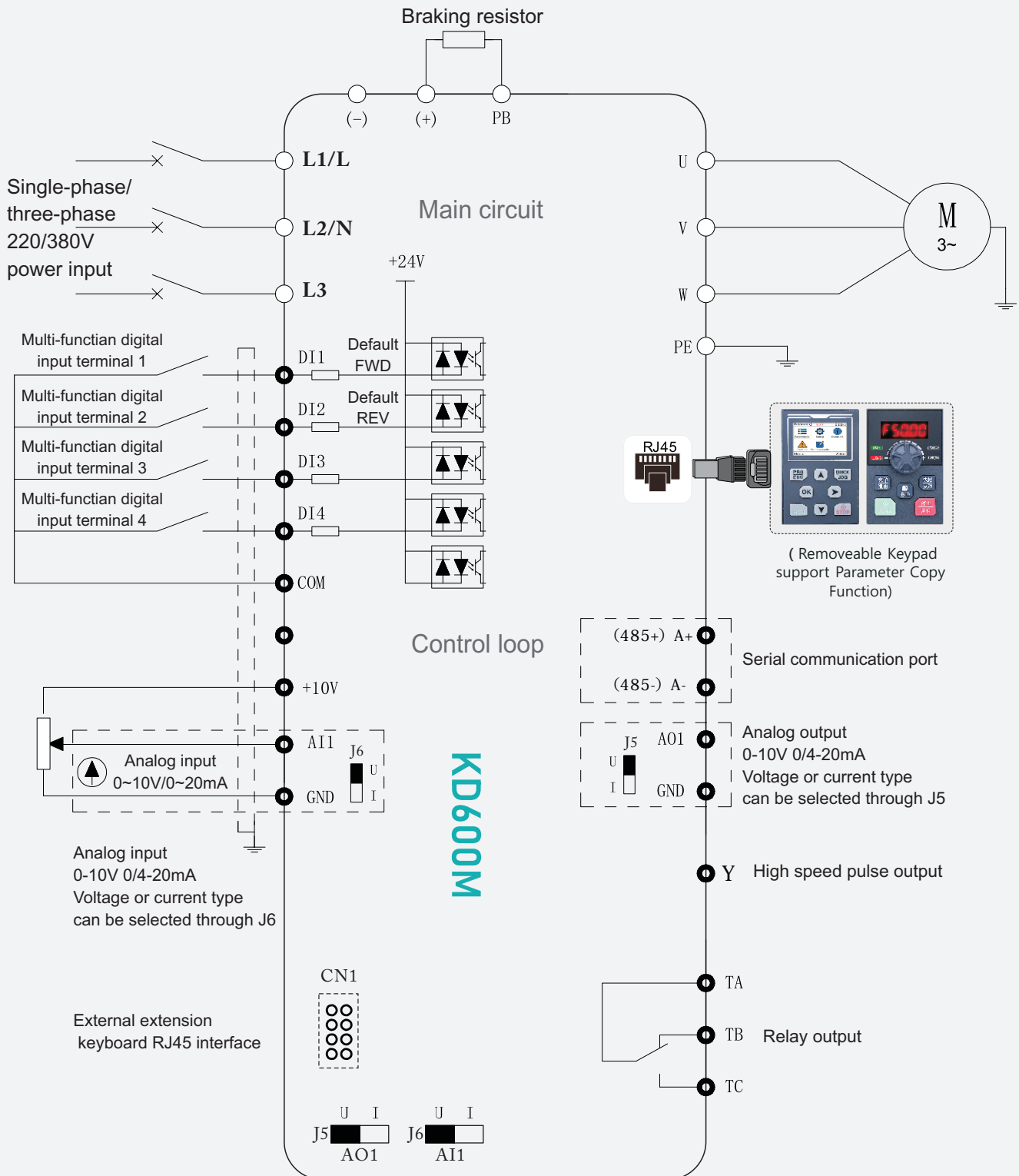
### Featured functions

Featured functions	Input &Output delay
	Flexible parameters display
	AVR (Automatic Voltage Regulation)
	Timing control, fixed length control, etc.
	Simple PLC, 16-steps speed control
	Torque control build-in
	S curve accelerator/deceleration Multi-functional programmable keypad V/F separated control



## BASIC CONNECTION

Following is the default wiring diagram for KD600M. Please consult K-DRIVE if customized solution is required.

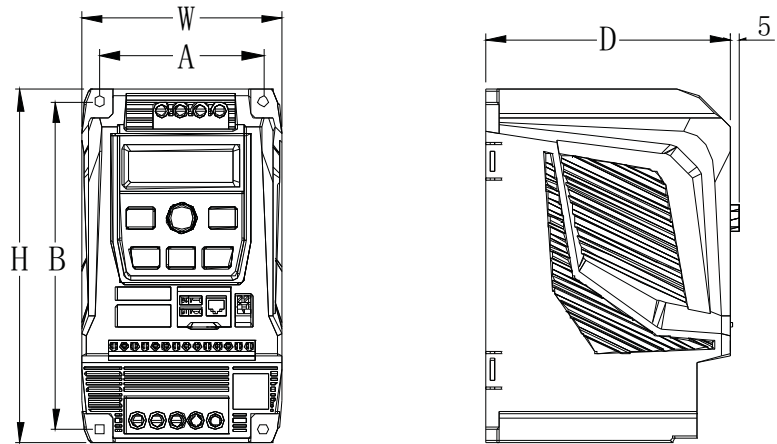


## MODEL AND SIZE

# 2S

Model	Input current (A)	Output current t(A)	Dimensions (mm)			Installation size(mm)		Aperture
			H	W	D	A	B	
Single phase 220V range: -15%~+20%								
KD600M-2S-0.4G	5.4	2.3	149	83	111	66	136	Φ5
KD600M-2S-0.75G	8.2	4.0	149	83	111	66	136	Φ5
KD600M-2S-1.5G	14.0	7.0	149	83	111	66	136	Φ5
KD600M-2S-2.2G	23.0	9.6	149	83	111	66	136	Φ5
KD600M-2S-4.0G	40	17	170	98	124	80	157	Φ5
KD600M-2S-5.5G	60	25	228	135	160	112	200	Φ5
KD600M-2S-7.5G	75	32	228	135	160	112	200	Φ5

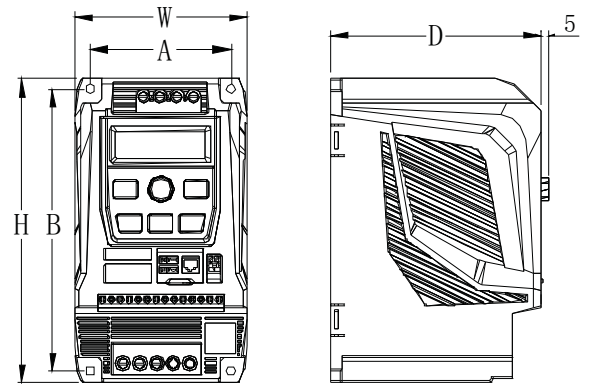
# 2T



Model	Input current (A)	Output current t(A)	Dimensions (mm)			Installation size(mm)		Aperture
			H	W	D	A	B	
Three phase 220V range: -15%~+20%								
KD600M-2T-0.4G	2.7	2.3	149	83	111	66	136	Φ5
KD600M-2T-0.75G	4.2	4.0	149	83	111	66	136	Φ5
KD600M-2T-1.5G	7.7	7.0	149	83	111	66	136	Φ5
KD600M-2T-2.2G	12	9.6	149	83	111	66	136	Φ5
KD600M-2T-4.0G	19	17	170	98	124	80	157	Φ5
KD600M-2T-5.5G	28	25	228	135	160	112	200	Φ5
KD600M-2T-7.5G	35	32	228	135	160	112	200	Φ5

# 4T

Model	Input current (A)	Output current (A)	Dimensions (mm)			Installation size(mm)		Aperture
			H	W	D	A	B	
Three phase 380V range: -15%~+20%								
KD600M-4T-0.75G/1.5P	3.4/5.0	2.1/3.8	149	83	111	66	136	Φ5
KD600M-4T-1.5G/2.2P	5.0/5.8	3.8/5.1	149	83	111	66	136	Φ5
KD600M-4T-2.2G/3.7P	5.8/10.5	5.1/9.0	149	83	111	66	136	Φ5
KD600M-4T-4.0G/4.0P	10.5/14.6	9.0/13.0	170	98	124	80	157	Φ5
KD600M-4T-5.5G/7.5P	14.6/20.5	13.0/17.0	170	98	124	80	157	Φ5
KD600M-4T-7.5G/9.0P	20.5/26.0	17.0/25.0	170	98	124	80	157	Φ5
KD600M-4T-11G/15P	26.0/35.0	25.0/32.0	228	135	160	112	200	Φ5
KD600M-4T-15G/18.5P	35.0/38.5	32.0/37.0	228	135	160	112	200	Φ5



## KD600M Series Boost inverter

Model	Adapter motor (KW)	Module current (A)	Rated input current(A)	Rated output current(V)	Dimensions(mm)			Installation size(mm)		Aperture
					H	W	D	A	B	
1S/2T 110V Single phase input & 220V Three Phase output										
KD600M-1S/2T-0.75G	0.75	15	11	4	149	83	111	66	136	Φ5
KD600M-1S/2T-1.5G	1.5	25	19	7	149	83	111	66	136	Φ5
KD600M-1S/2T-2.2G	2.2	25	26.4	10	149	83	111	66	136	Φ5
KD600M-1S/2T-3.7G	3.7	50	45.5	17	170	98	124	80	157	Φ5
KD600M-1S/2T-5.5G	5.5	75	67.5	25	228	135	160	112	200	Φ5
2S/4T 220V Single phase input & 380V Three Phase output										
KD600M-2S/4T-0.75G	0.75	15	7.3	2.3	149	83	111	66	136	Φ5
KD600M-2S/4T-1.5G	1.5	15	13.3	3.8	149	83	111	66	136	Φ5
KD600M-2S/4T-2.2G	2.2	25	17.9	5.1	149	83	111	66	136	Φ5
KD600M-2S/4T-3.7G	3.7	25	31.5	9	149	83	111	66	136	Φ5
KD600M-2S/4T-5.5G	5.5	40	45.5	13	170	98	124	80	157	Φ5
KD600M-2S/4T-7.5G	7.5	50	59.5	17	228	135	160	112	200	Φ5

# KD600M-2SS Series

Model	Adapter motor (KW)	Input voltage current(V)	Input current (A)	Output voltage (V)	Output current (A)	Dimensions(mm)			Installation size(mm)		Aperture
						H	W	D	A	B	
2SS 220V Single Phase Input & Single Phase Output											
KD600M-2SS-0.4G	0.4	Single phase 220V	6	Single phase 220V	4	149	83	111	66	136	Φ5
KD600M-2SS-0.55G	0.55		7		5	149	83	111	66	136	Φ5
KD600M-2SS-0.75G	0.75		9		6	149	83	111	66	136	Φ5
KD600M-2SS-1.5G	1.5		14		10	149	83	111	66	136	Φ5
KD600M-2SS-2.2G	2.2		18		15	170	98	124	80	157	Φ5
KD600M-2SS-4.0G	4		31		27	228	135	160	112	200	Φ5

## APPLICATIONS

Conveyors, centrifuges, food processing machinery, packaging machinery, pumps, fans, etc.



 AC DRIVE

SHENZHEN K-EASY AUTOMATION CO.,LIMITED

www.keasyautomation.com

Address: Room 301, No. 13, Tangxi Xijing Industrial Zone, Gushu Community, Xixiang Street, Bao'an District, Shenzhen

Tel: +86-0755-27850411 Wechat: +86-19924552818 Whats App: +86-13332991978 E-mail: Sales@keasyautomation.com

